

**SONY**

Hi-Fi Products  
Service Bulletin

Sony Service Company - Technical Services  
A Division of Sony Corporation of America  
Sony Drive, Park Ridge, New Jersey 07656

**Model:** FH-B150 / HCD-H150

**No. 310**

**Subject:** Hum Noise In Headphone

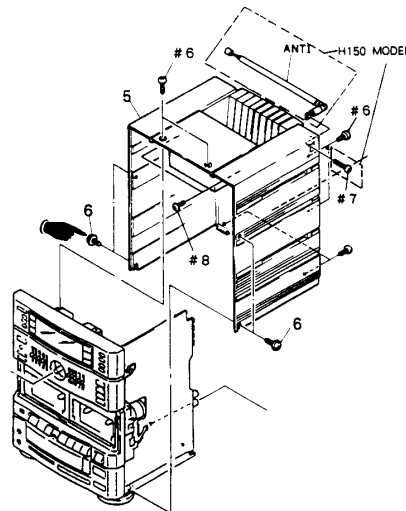
**Date:** December 30, 1992

**Symptom:**  
(54)

A hum noise is intermittently present on the headphone output signal. It may disappear when the set is moved or tapped on. The lower left-hand cabinet screw (ref. 6) is too long and touches a GND pattern on the headphone amplifier board (jack board). This causes a ground loop and results in the hum noise.

**Solution:** Replace the lower left-hand cabinet screw with the part number as shown in the chart below.

DESCRIPTION	PART NUMBER
SCREW (3 X 6)	3-363-099-21



Compact System  
CSA-13

Reference: FPR N2724  
Autoflagging: (YES)



PRINTED IN U.S.A.  
CSA-131292-7